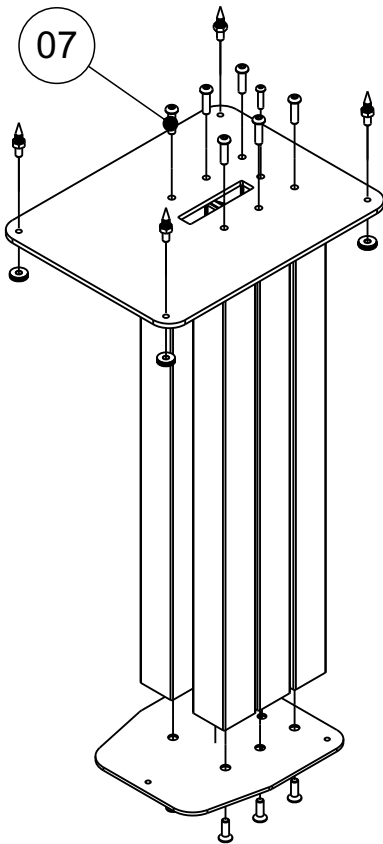
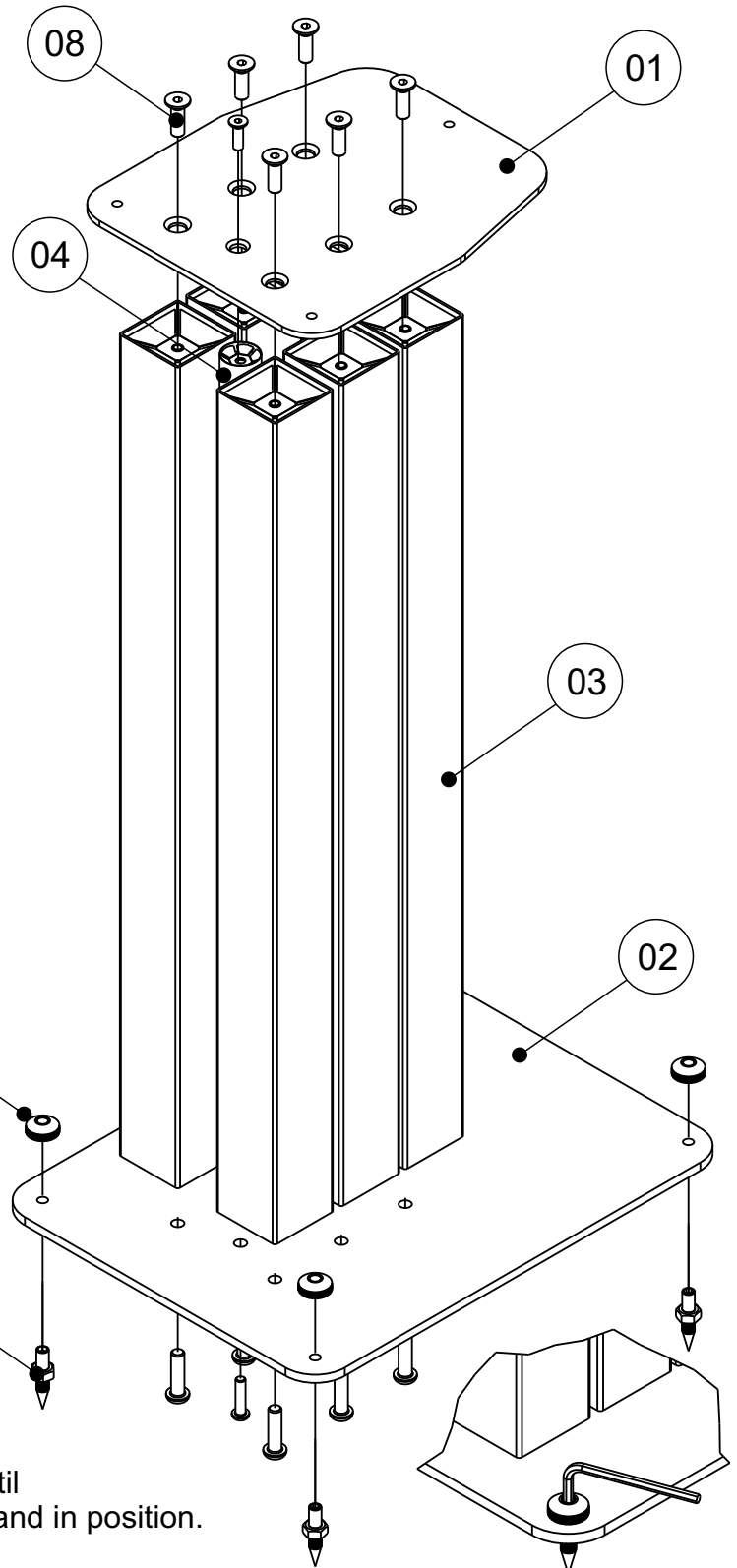
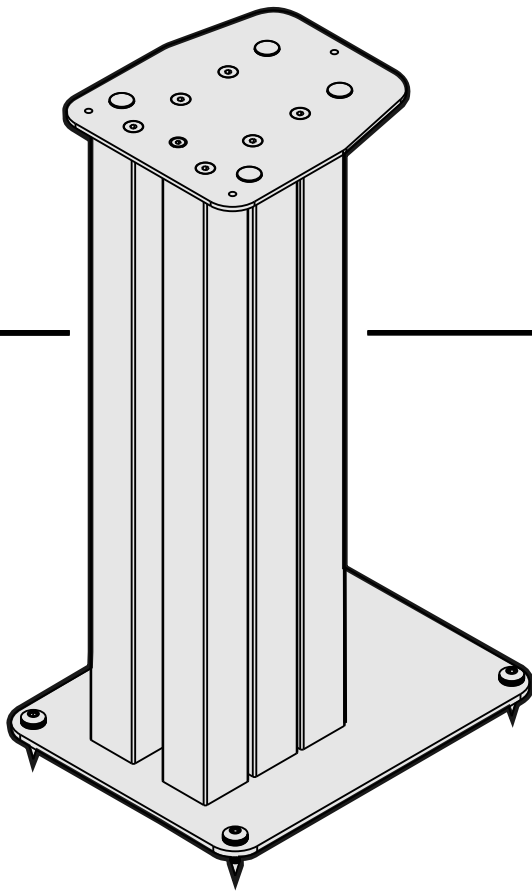




KUDOS

Titan 505 Seven pillar stand assembly instructions



Note: Important

Do not tighten fixing screws fully until top and base plates are all aligned and in position.



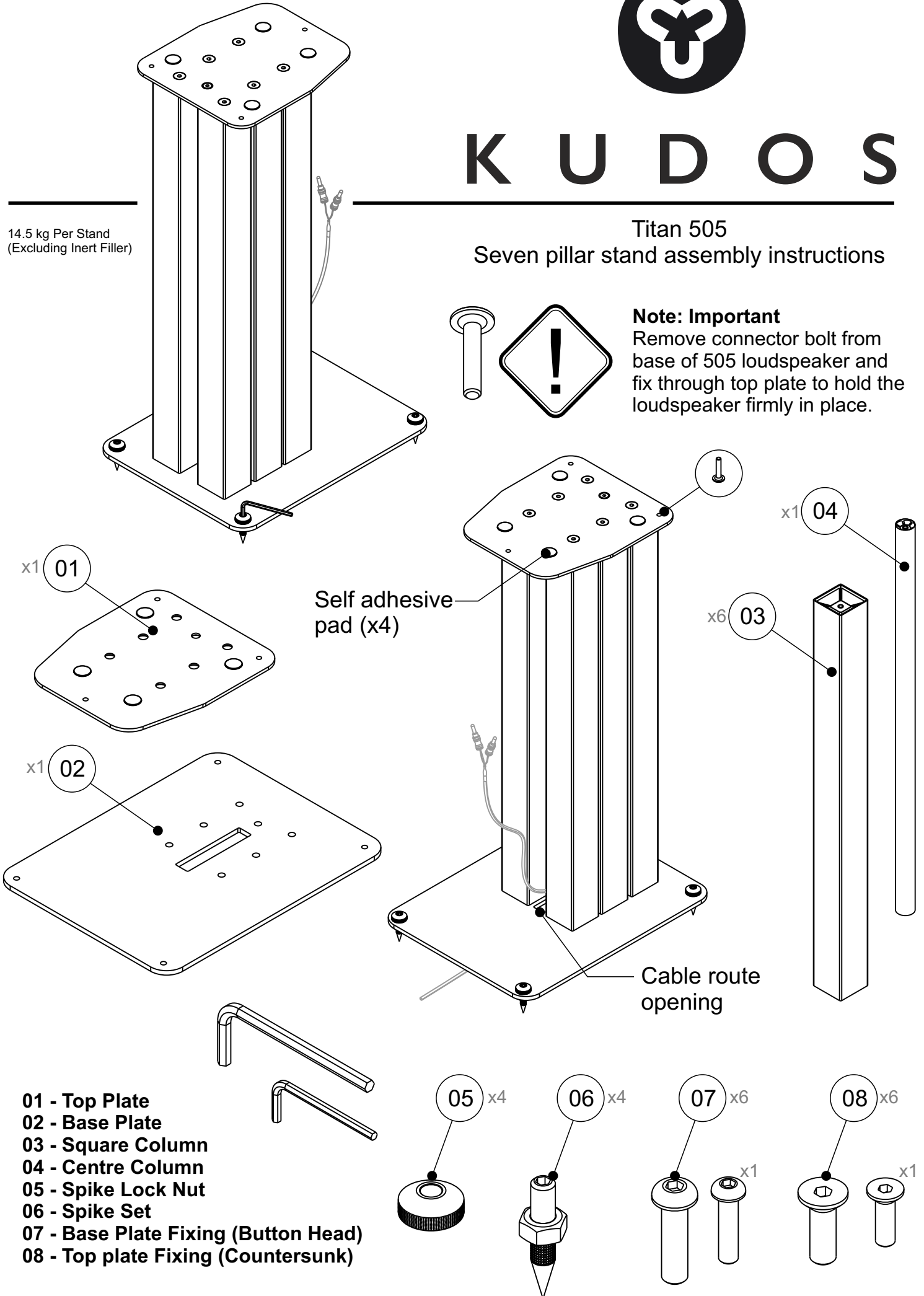
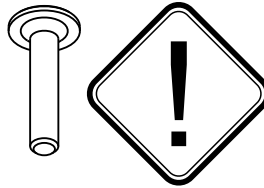
KUDOS

14.5 kg Per Stand
(Excluding Inert Filler)

Titan 505 Seven pillar stand assembly instructions

Note: Important

Remove connector bolt from base of 505 loudspeaker and fix through top plate to hold the loudspeaker firmly in place.



- 01 - Top Plate
- 02 - Base Plate
- 03 - Square Column
- 04 - Centre Column
- 05 - Spike Lock Nut
- 06 - Spike Set
- 07 - Base Plate Fixing (Button Head)
- 08 - Top plate Fixing (Countersunk)